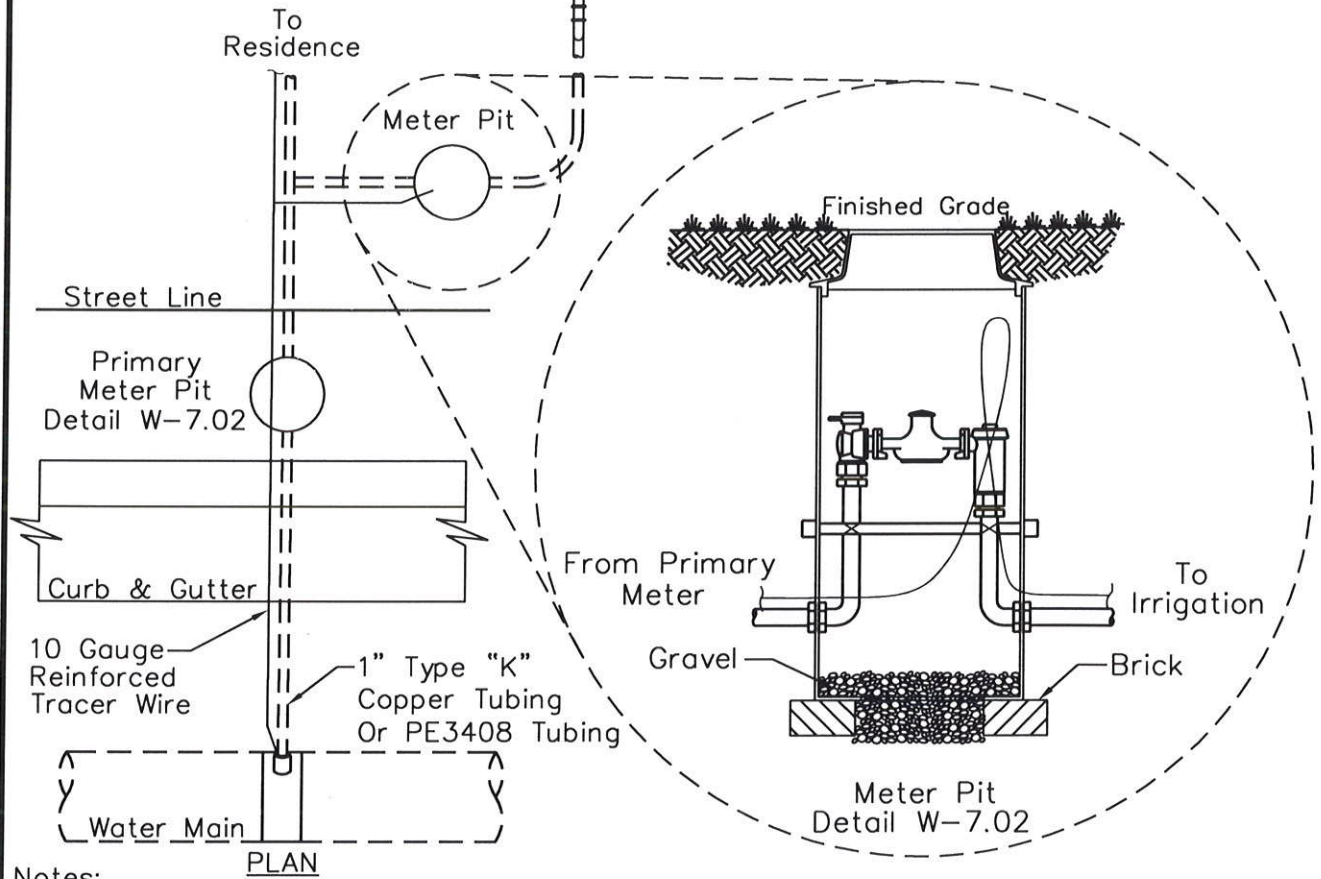


Backflow Preventer To Be In Accordance With Current Version Of International Plumbing Code.

To Irrigation System

Backflow Preventer To Be Installed Within 6' Of Building.



Notes:

1. Obtain Plumbing Permit From Town Of Easton.
2. Install Meter Box And Connect To Water Supply On Residence Side Of Primary Meter.
3. Stainless Steel Saddle Shall Be Equivalent To Ford FS303 Or Power Seal 3412AST.
4. Meter Box (Ford No. PSBHC-488-20-36-18) or an approved equal furnished and installed By Contractor. Use high impact plastic lid.
5. Backfill And Tamp With Select Material To Pad Pipe. See Detail W-1.00.
6. 10 Gauge Coated Solid Copper Tracer Wire Or An Approved Equal.
7. Thoroughly Tape Mechanical Connections With Electrical Tape.
8. Contractor Responsible For Providing Adequate Water Pressure Per Lawn Irrigation Manufacturers Specifications.

APPROVAL	REVISED	TOWN OF EASTON AND EASTON UTILITIES STANDARD DETAILS RESIDENTIAL LAWN IRRIGATION METER DETAIL
EU MANAGER OF ENGINEERING DATE	11/28/2011	
	8/23/2012	
ISSUED: <u>JULY 1, 2011</u>	STANDARD NO.	W-7.06