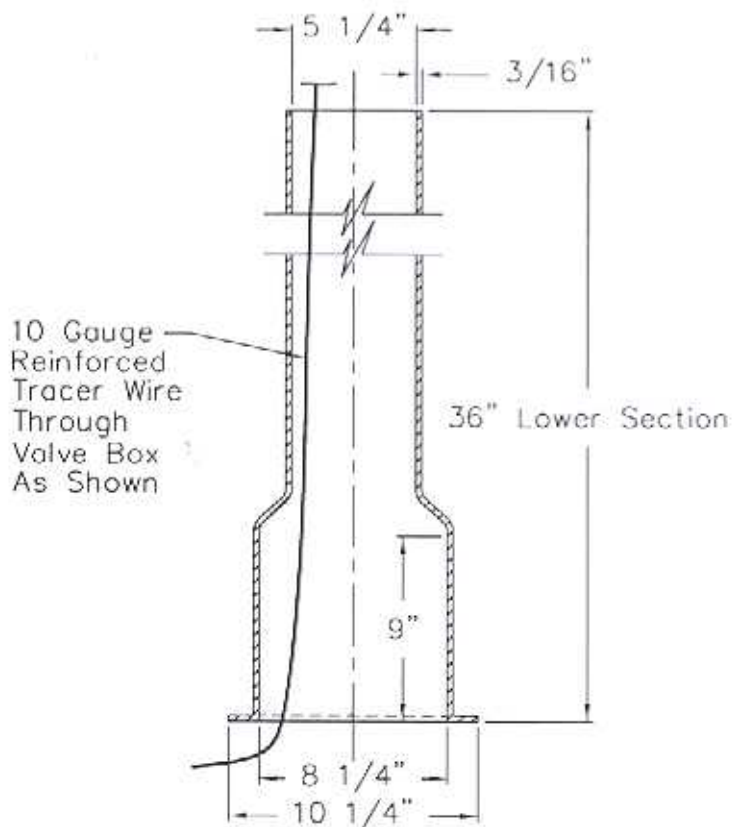


COVER

Notes:

1. To Be Plumb And Centered Over Valve.
2. All Sections Shown To Be Gray Iron Castings, Class No. 35 ASTM A-48.
3. Lower Section To Rest On Valve Bonnet.
4. Upper Section To Rest On Select Fill Compacted To 95% Modified Proctor.
5. Valve Box To Be Fig. #4908 And As Manufactured By Bingham & Taylor P.O. Box 552 Culpeper, VA. 22701 Figure #4908
6. Reinforced Coated Tracer Wire As Manufactured By Copperhead Industries, LLC, P.O. Box 1081 Monticello, MN, 55362, Or An Approved Equal.



VALVE BOX SECTION

APPROVAL	REVISED	TOWN OF EASTON AND EASTON UTILITIES STANDARD DETAILS ADJUSTABLE VALVE BOX
<i>Tallot W. Dore</i> 9/1/09 EU MANAGER OF ENGINEERING DATE	AUG 1, 94	
	MAR 1, 98	
	SEP 1, 09	
ISSUED: MAY 1, 1986	STANDARD NO.	W-6.00