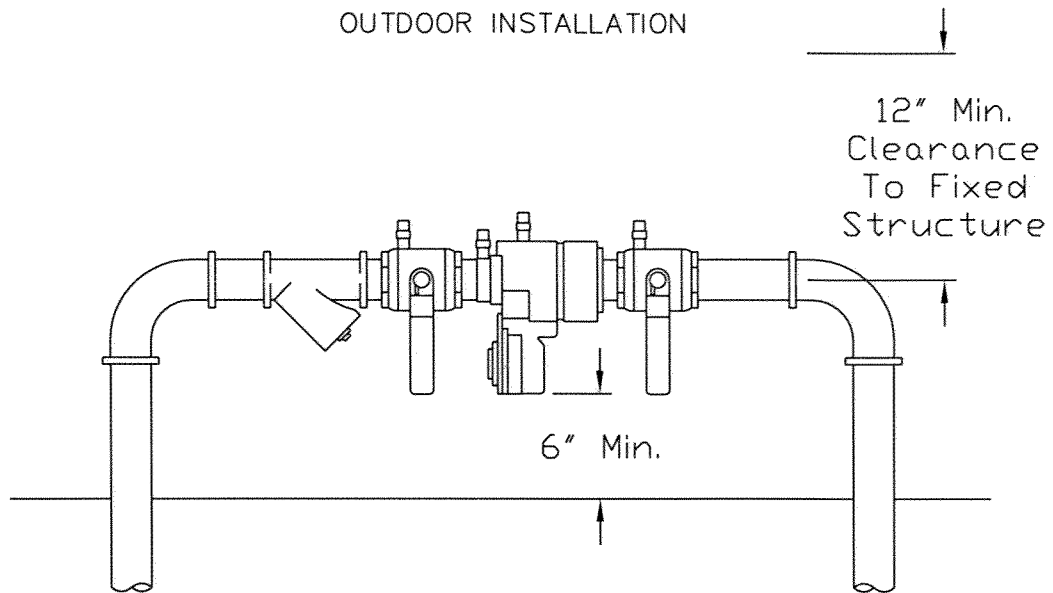
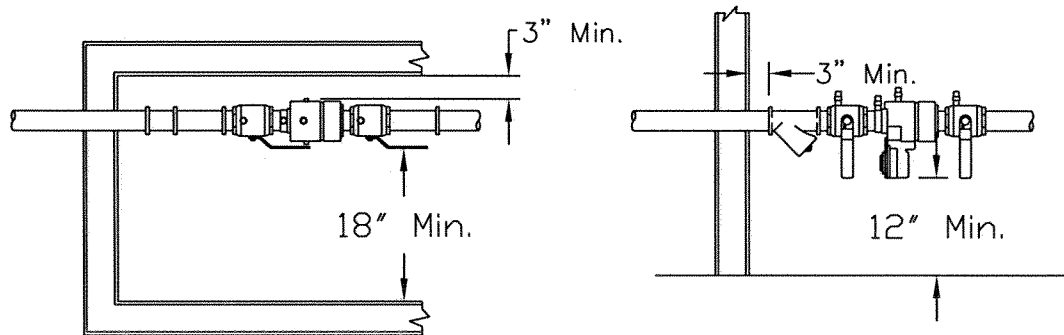


OUTDOOR INSTALLATION



INDOOR INSTALLATION



Notes:

1. Reduced Pressure Backflow Preventer To Be Manufactured By Febco Or An Approved Equal.


FEBCO Part No.

3/4" Assembly - FE860-075

1" Assembly - FE860-100

1 1/2" Assembly - FE860-150

2" Assembly - FE860-200

APPROVAL	REVISED	<p>TOWN OF EASTON AND EASTON UTILITIES COMMISSION STANDARD DETAILS REDUCED PRESSURE BACKFLOW PREVENTER</p>
 EU MANAGER OF ENGINEERING DATE		
ISSUED: JUNE 1, 2008		
STANDARD NO.	W-5.11	