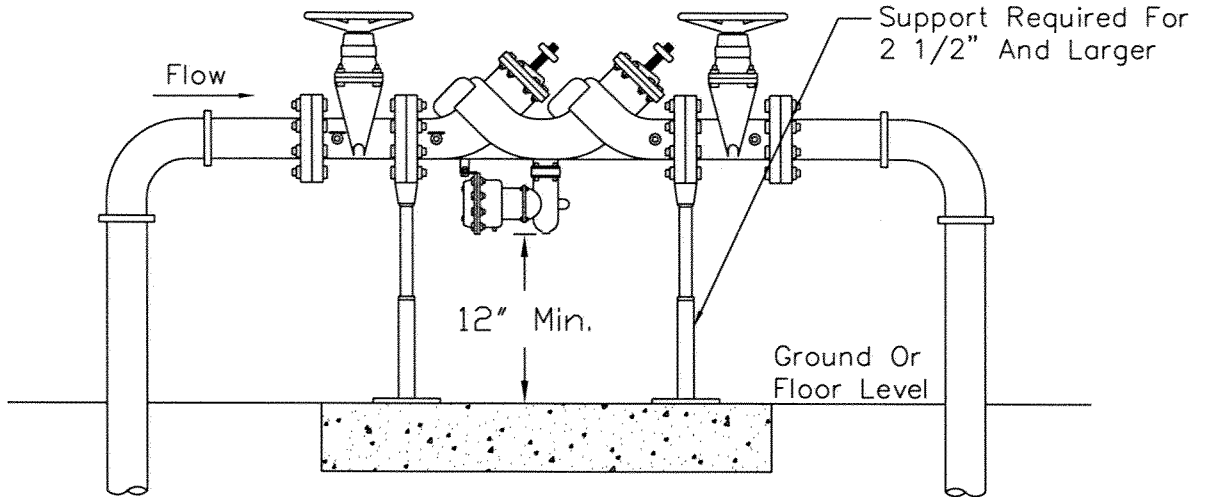
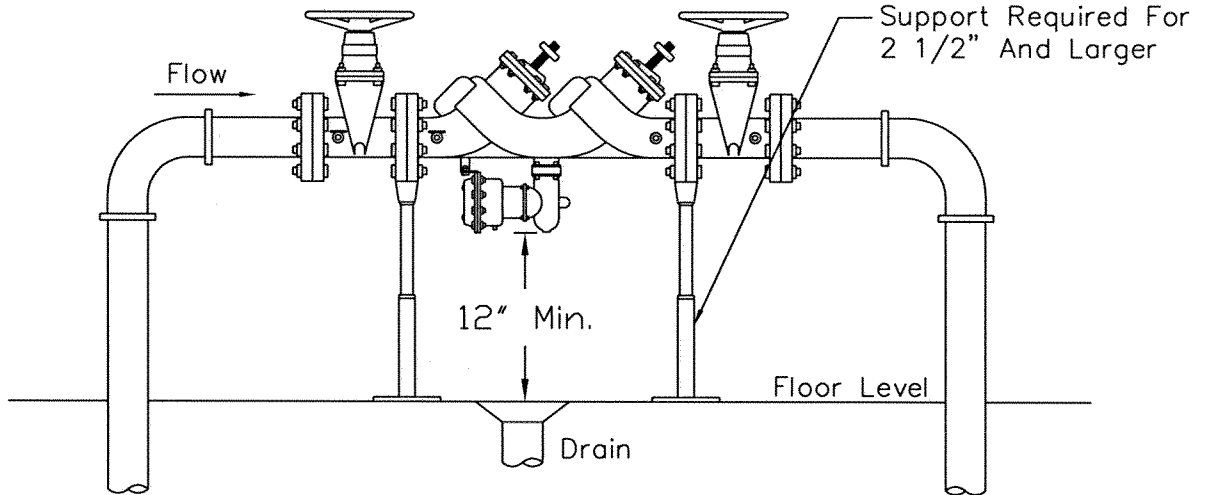


OUTDOOR INSTALLATION



Install Where Assembly Is Accessible For Periodic Testing And Spillage Is Not Objectionable.

INDOOR INSTALLATION



Install Where Assembly Is Accessible For Periodic Testing And Spillage Is Not Objectionable.

Notes:

1. Reduced Pressure Backflow Preventer To Be Manufactured By Febco Or An Approved Equal.
2. Assembly To Be Used For Pipe 2 1/2" To 10".

APPROVAL	REVISED	<p>TOWN OF EASTON AND EASTON UTILITIES COMMISSION STANDARD DETAILS REDUCED PRESSURE BACKFLOW PREVENTER</p>	
<p><i>Talbot W. Bane</i> 7/1/08 EU MANAGER OF ENGINEERING DATE</p>			
ISSUED: JUNE 1, 2008			STANDARD NO. W-5.10A