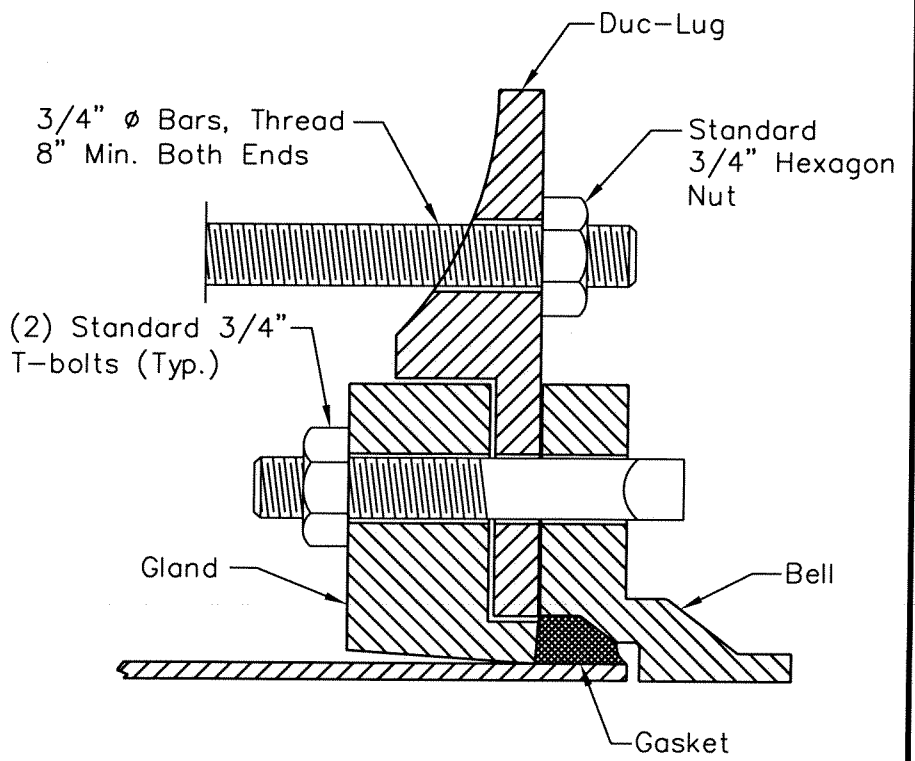


Plan

Main Size	No. Of 3/4" Dia. Bars Req'd.
3"	2
4"	2
6"	2
8"	2
10"	4
12"	6
16"	8
20"	12
24"	16



Cross Section Lug Assembly

Notes:

1. Use Mechanical Joint Fittings Only.
2. Paint All Steel With 2 Coats Of Bituminous Paint.

APPROVAL	REVISED	TOWN OF EASTON AND EASTON UTILITIES STANDARD DETAILS  STANDARD STRAPPING METHOD
<i>Talbot W. Bone</i> 2/25/96	AUG 1, 94	
EU MANAGER OF ENGINEERING DATE		
ISSUED: MAY 1, 1986		STANDARD NO. W-2.00