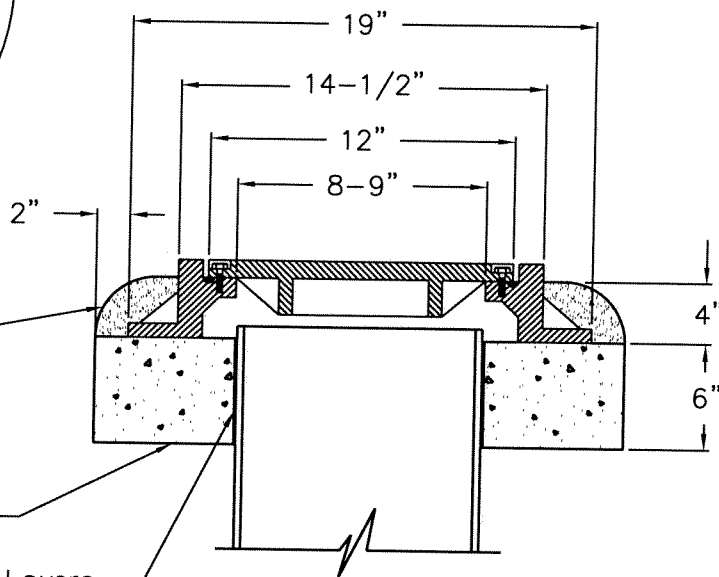


Plan

Grout Inplace With Non-Shrinking, High Early, Waterproof Grout.

SHA Mix No. 2 Conc.


Wrap Pipe With 2 Layers Of Tar Paper Before Placing Conc.



Section

Notes:

1. Castings Shall Conform To ASTM A-48-64 Class 35 Iron Minimum.
2. Castings Shall Have Ground Or Machined Bearing Surfaces.
3. Castings Shall Be Of Uniform Quality, Free From Blow Holes, Porosity, Hard Spots, Shrinkage Defects, Or Other Injurious Defects.
4. Casting Shall Be Heavy Duty Roadway Type.
5. Frame & Cover Shall Be R-1916-A As Manufactured By Neenah Foundry Company, Neenah Wisconsin Or An Approved Equal.

APPROVAL	REVISED	TOWN OF EASTON AND EASTON UTILITIES STANDARD DETAILS WATERTIGHT MAINLINE CLEANOUT FRAME AND COVER
 EU MANAGER OF ENGINEERING DATE	MAR 14, 95	
	FEB 1, 06	
ISSUED: MAY 1, 1986	STANDARD NO.	SS-6.00