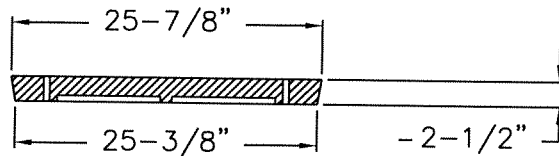
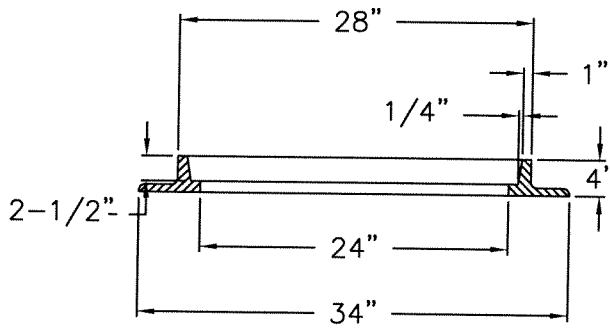


Cover Shall Be Lettered  
"SANITARY SEWER"

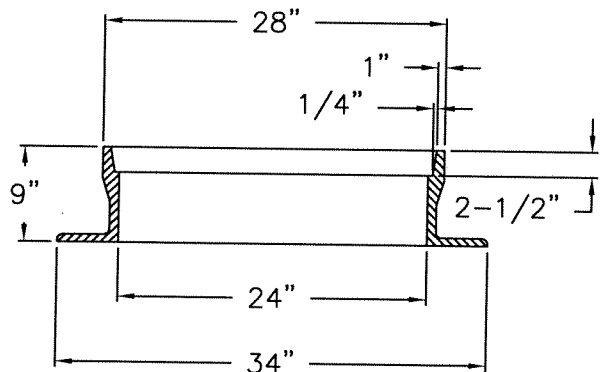


#1012-A



Frame For Slab Top MH.

#A-2570



Frame For Standard MH.

#1940

Notes:

1. Casting Shall Conform To ASTM A-48-64 Class 35B Iron Minimum.
2. Casting Shall Have Ground Or Machined Bearing Surfaces.
3. Casting Shall Be Of Uniform Quality, Free From Blow Holes, Porosity, Hard Spots, Shrinkage Defects, Or Other Injurious Defects.
4. Casting Shall Be Heavy Duty Roadway Type.
5. "Pick Holes" Are Required In Lid.
6. Frame & Cover Shall Be As Indicated And As Manufactured By E.A. Quirin Foundry, Box 98 St. Clair, PA. 17970, Or An Approved Equal.
7. Contractor To Furnish And Install Manhole Insert (SS-4.02) At All Locations.

APPROVAL	REVISED	TOWN OF EASTON AND EASTON UTILITIES STANDARD DETAILS  MANHOLE FRAME & COVER
<i>Talbot W. Bane</i> 2/1/06 EU MANAGER OF ENGINEERING DATE	MAR 1, 94	
	AUG 1, 94	
	FEB 1, 06	
ISSUED: MAY 1, 1986	STANDARD NO.	SS-4.00