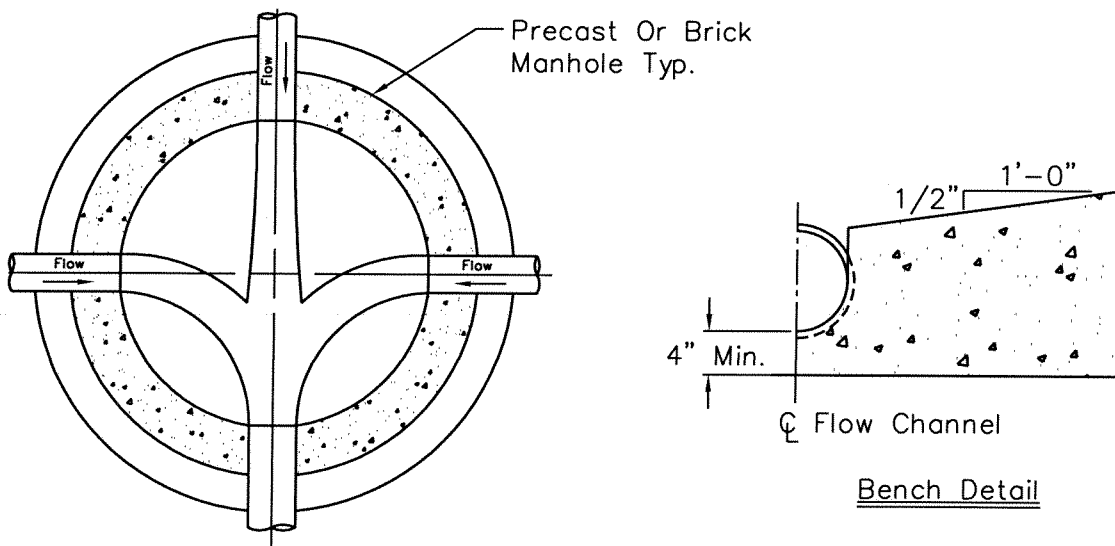


Flow Channel Notes:

1. Flow Channels Shall Be Either Brick Or Concrete, 4" Min. Thickness. Use "Type S" Mortar For Brick Channels. Concrete Shall Be SHA Mix No. 1.
2. Channel Width Shall Match Inside Diameter Of Incoming And Outgoing Pipes. Blend Channel For Smooth Transition.
3. Bench To Be Installed To Top Of Pipe, See Detail.



APPROVAL	REVISED	TOWN OF EASTON AND EASTON UTILITIES STANDARD DETAILS MANHOLE FLOW CHANNELS	
<i>Talbot W. Bane</i> 4/25/06 EU MANAGER OF ENGINEERING DATE			
ISSUED: MAY 1, 1986		STANDARD NO.	SS-2.00