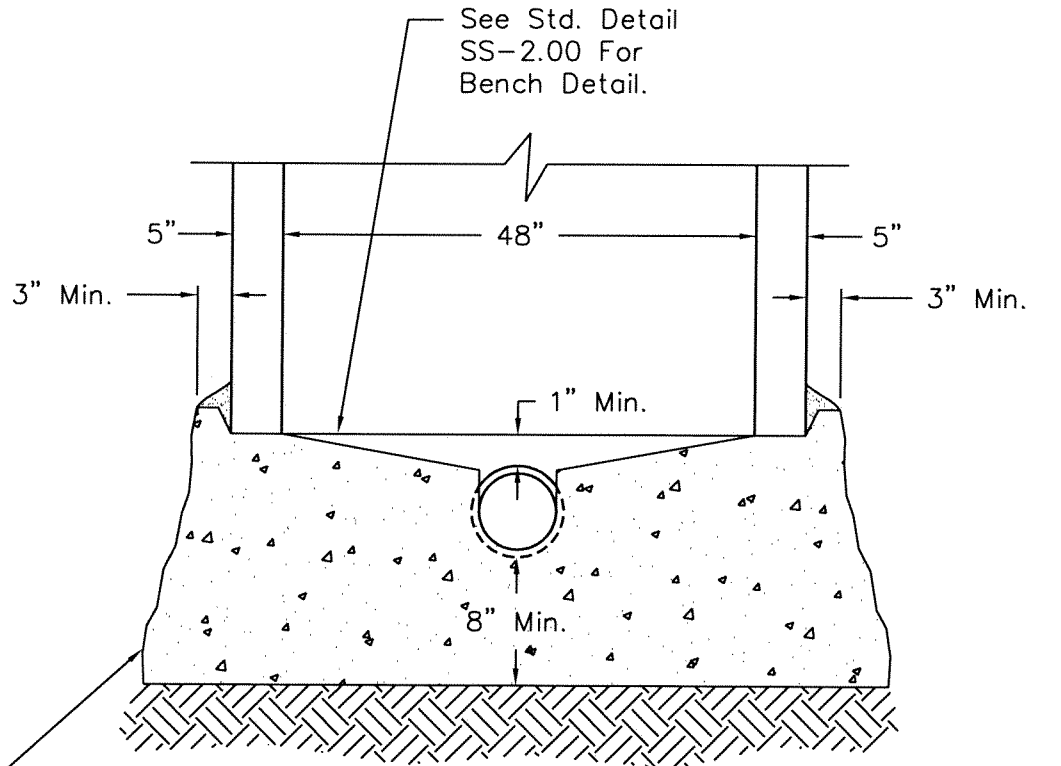


Seal Manhole Riser To The Monolithic Base With A Cement-Based Quick-Set, Hydraulic Compound.



SHA Mix. No. 1 Monolithic Concrete Base.
Handformed Concrete Channel As Required.
Bench Shall Slope 1" Per Foot To Top Of Pipe.

Approved Subgrade
As Required

APPROVAL	REVISED	TOWN OF EASTON AND EASTON UTILITIES STANDARD DETAILS ALTERNATE MANHOLE BASE (MONOLITHIC CONCRETE)
<i>Talbot W. Bane</i> 4/25/06 EU MANAGER OF ENGINEERING DATE		
ISSUED: MAY 1, 1986		STANDARD NO. SS-1.02