

200 AMP
ESNA BUSHING
WELLS FOR LB
BUSHINGS

H1A H1B

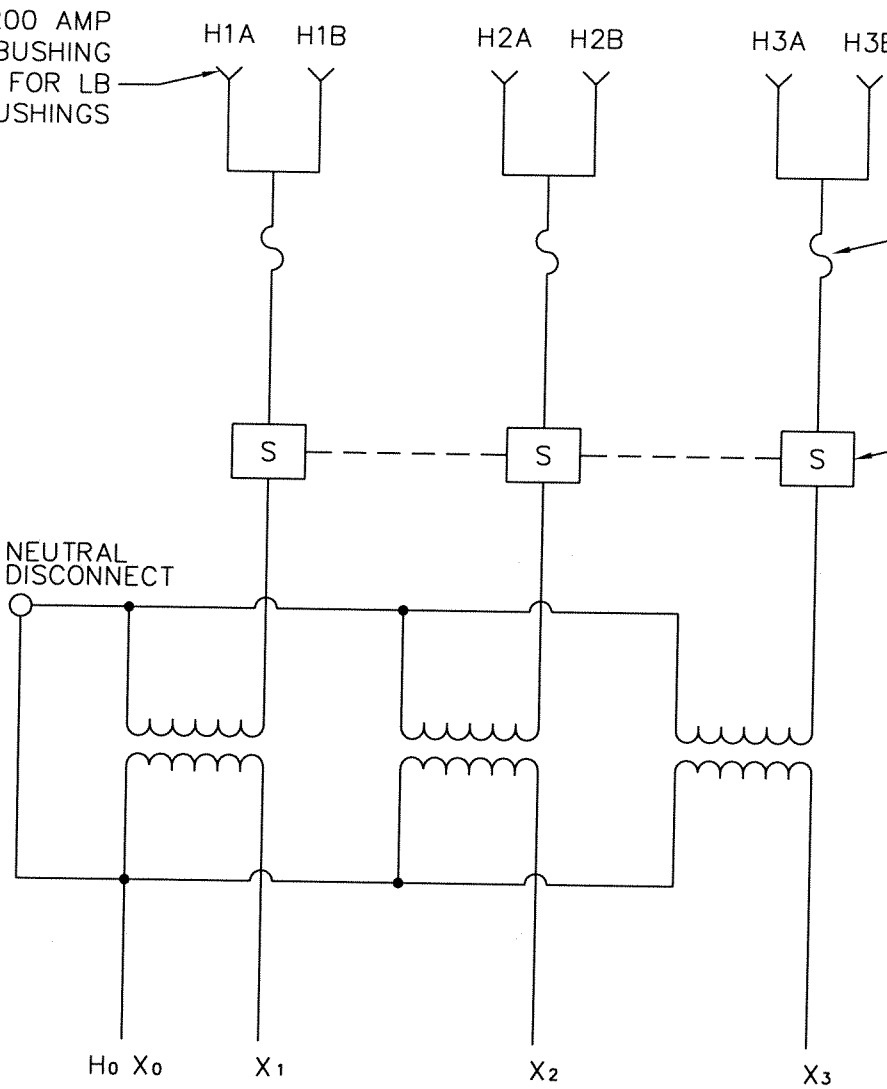
H2A H2B

H3A H3B

BAYONET DUAL
SENSING FUSE IN
SERIES WITH A
PARTIAL RANGE
CURRENT LIMITING
FUSE.

DUAL VOLTAGE
SWITCH

NEUTRAL
DISCONNECT

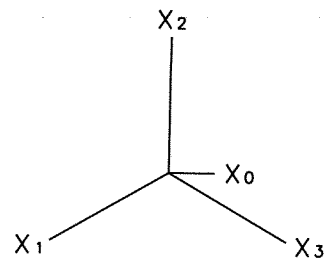
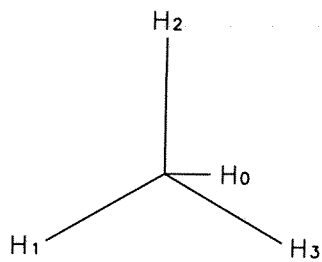


H0 X0

X1

X2

X3



APPROVAL

Talbot W. Bace 4/25/06
EU MANAGER OF ENGINEERING DATE

REVISED

EASTON UTILITIES COMMISSION
ELECTRIC DEPARTMENT
STANDARD DETAILS
THREE PHASE/DUAL VOLTAGE
TRANSFORMER PRIMARY
CONFIGURATION

ISSUED 10/22/01

STANDARD No. E-3.03