

NOTES:

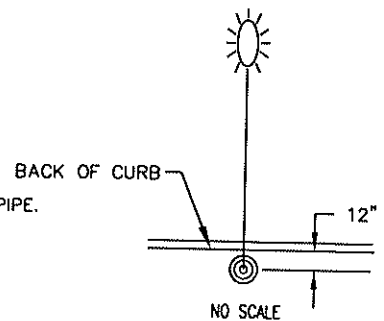
- METER SOCKET AND DISCONNECT SWITCH SHALL BE SUPPLIED AND INSTALLED BY THE DEVELOPERS LICENSED ELECTRICIAN.
- 100 OR 200 AMP METER SOCKET TO BE APPROVED BY ELECTRIC SERVICE PROVIDER.
- TWO POLE, 60 AMP, FUSIBLE DISCONNECT SWITCH RATED NEMA JR. TWO 60 AMP, CLASS K5 FUSES SHALL BE INSTALLED IN DISCONNECT SWITCH.
- 1 1/2" SCHEDULE 40 PVC CONDUIT REQUIRED FROM METER SOCKET TO DISCONNECT SWITCH AND FROM DISCONNECT SWITCH TO STREET LIGHT POLE 1 1/4" SCHEDULE 40 HDPE ROLL PIPE.
- METER SOCKET AND DISCONNECT SWITCH TO BE INSTALLED ON PRESSURE TREATED 6 x 6 POST 3' DEEP AND 4' ABOVE FINISHED GRADE.
- STREET LIGHT LOCATION, POLE SPACING, LUMINAIRE HEIGHT AND TYPE TO BE DETERMINED BY EASTON UTILITIES.
- EASTON UTILITIES TO SUPPLY AND INSTALL FIBERGLASS POLE, LUMINAIRE AND LAMP, AND CONDUCTORS FROM LUMINAIRE TO BASE OF POLE. EASTON UTILITIES SHALL SUPPLY AND INSTALL THE FINAL CONNECTORS, FUSING AND TERMINATIONS AT BASE OF POLE AFTER DEVELOPERS ELECTRICIAN HAS INSTALLED THE UNDERGROUND DUCT BETWEEN POLES AND PULLED THE WIRE TO EACH POLE. IN ACCORDANCE WITH THE FOLLOWING:
DISCONNECT SWITCH TO EACH POLE AND IN THE LOCATIONS SPECIFIED BY EASTON UTILITIES. DEVELOPER SHALL PULL WIRE THROUGH THE UNDERGROUND DUCT AND INTO FIBERGLASS POLE IN ACCORDANCE WITH THE FOLLOWING:

UNDERGROUND DUCT

- UNDERGROUND DUCT TO BE 1 1/4" SCHEDULE 40, HDPE ROLL PIPE SMOOTH/SMOOTH NO STRING RED INSTALL PARALLEL TO THE ROAD AND ROUTED THE SHORTEST DISTANCE BETWEEN POLES AS SPECIFIED BY EASTON UTILITIES ELECTRIC DESIGN.
- DUCT TO HAVE A MINIMUM OF 24" OF COVER.
- ALL DUCT TO BE INSPECTED BY EASTON UTILITIES BEFORE BACKFILLING.
- CLEARANCE HOLES FOR 1 1/2" CONDUIT SHALL BE DRILLED IN FIBERGLASS POLE 24" BELOW FINISHED GRADE.
- UNDERGROUND DUCT SHALL BE STUBBED INSIDE FIBERGLASS POLE APPROXIMATELY 1" AND REAMED SMOOTH TO ELIMINATE SHARP EDGES.
- THE CLEARANCE HOLES SHALL BE SEALED AROUND CONDUIT TO ELIMINATE FOREIGN MATERIAL FROM ENTERING POLE.

WIRING

- CONDUCTORS INSTALLED BETWEEN EACH POLE SHALL BE ALUMINUM, TYPE USE 2, #4 AWG STRANDED.
 - THERE SHALL BE NO WIRE SPLICES LOCATED INSIDE THE UNDERGROUND DUCT.
 - AN EQUIPMENT GROUND WIRE OF THE SAME SIZE AS THE SUPPLY CONDUCTORS SHALL BE INSTALLED WITH THE SUPPLY CONDUCTORS TO EACH POLE AND GROUNDED. THE GROUNDING CONDUCTOR SHALL BE PERMANENTLY MARKED (STRIPE OR AN EASTON UTILITIES APPROVED METHOD) BY THE MANUFACTURER. GREEN TAPE SHALL BE APPLIED AT EACH END TO IDENTIFY THE CONDUCTOR AS A GROUNDING CONDUCTOR. WIRE SHALL BE EXTENDED INSIDE EACH POLE A MINIMUM OF 12" ABOVE HAND HOLES LOCATED AT THE BASE OF THE POLE.
8. REFER TO SUPPLEMENTAL SUBDIVISION STREETLIGHT POLICY FOR AREAS OUTSIDE OF EASTON UTILITIES SERVICE TERRITORY.



APPROVAL		REVISED	TOWN OF EASTON AND EASTON UTILITIES COMMISSION STANDARD DETAILS FIBERGLASS POLE STREETLIGHT INSTALLATION
<i>Talbot W. Base</i> <i>4/25/11</i>		3/25/11	
EU MANAGER OF ENGINEER	DATE		
ISSUED: JUNE 1, 2003		STANDARD NO.	E-1.00